

Exam Summer Semester 2023

Student Group

First Name	Surname	Matrikel Nr.

Table of Contents

Exam Summer Semester 2023	3
Additional permitted Aids	3
Hits	3
Only EEE1-relevant Part	3
Exercise E1 Resistivity and temperature dependent Resistance (written test, approx. 7 % of a 60-minute written test, SS2023)	3
Exercise E1 Pure Resistor Network Simplification (written test, approx. 12 % of a 60-minute written test, SS2023)	4
Exercise E2 Pure Resistor Network Simplification I (written test, approx. 14 % of a 60-minute written test, SS2023)	6
Exercise E1 Equivalent Linear Source (written test, approx. 10 % of a 60-minute written test, SS2023)	9
Full Exam	12
Exercise E1 Resistivity and temperature dependent Resistance (written test, approx. 7 % of a 60-minute written test, SS2023)	12
Exercise E2 Analyzing a Scope Plot (written test, approx. 12 % of a 60-minute written test, SS2023)	13
Exercise E3 Complex voltage dividers (written test, approx. 16 % of a 60-minute written test, SS2023)	14
Exercise E1 Pure Resistor Network Simplification (written test, approx. 12 % of a 60-minute written test, SS2023)	15
Exercise E2 Pure Resistor Network Simplification I (written test, approx. 14 % of a 60-minute written test, SS2023)	17
Exercise E1 Equivalent Linear Source (written test, approx. 10 % of a 60-minute written test, SS2023)	20
Exercise E4 (Dis)Charging Capacities (written test, approx. 14 % of a 60-minute written test, SS2023)	23
Exercise E5 Impedances at Frequencies (written test, approx. 14 % of a 60-minute written test, SS2023)	24

Exercise E1 Efficiency (written test, approx. 14 % of a 60-minute written test, SS2023) 25

Exam Summer Semester 2023

Additional permitted Aids

- non-programmable calculator,
- formulary (2 DIN A4 pages)

Hits

- The duration of the exam is 60 min.
- Attempts to cheat will lead to exclusion and failure of the exam.
- Withdrawal is no longer possible after these exam has been handed out.
- Please write down intermediate calculations and results on the assignment sheet. (when more space is needed also on the reverse side. In this case: Mark it clearly).
- Always use units in the calculation.
- Use a document-proof, non-red pen.

Only EEE1-relevant Part

This part is only for about 25 minutes !

Exercise E1 Resistivity and temperature dependent Resistance (written test, approx. 7 % of a 60-minute written test, SS2023)

The conductivity σ of a dielectric material is affected by temperature and is described by the Arrhenius law in an exponential form. In the case of a best fit would be a $B = 1.5 \cdot 10^6 \text{ S/m}$ between the 20 °C and 100 °C .

Solution: The resistivity of the dielectric material is $\rho_{\text{PP}}(20 \text{ °C}) = 10^{17} \text{ } \Omega \cdot \text{m}$.

For the given material the temperature coefficients in the range of 20 °C and 55 °C

are given as $\alpha = -0.048 \text{ } 1/\text{K}$ and $\beta = +0.00057 \text{ } 1/\text{K}^2$.

$$\begin{aligned} R(55 \text{ °C}) &= R(20 \text{ °C}) \cdot (1 + \alpha \cdot \Delta T + \beta \cdot T^2 + \dots) \\ &= 80 \text{ } \Omega \cdot (1 - 0.048 \text{ } 1/\text{K} \cdot (35 \text{ K}) + 0.00057 \text{ } 1/\text{K}^2 \cdot (35 \text{ K})^2) \end{aligned}$$

–

Calculate the resistance for the dielectric material for $20 \text{ }^\circ\text{C}$.

Solution

$$R(20 \text{ }^\circ\text{C}) = \rho \cdot \frac{d}{A} = 10^{17} \frac{\Omega \cdot \text{m} \cdot 0.8 \cdot 10^{-6} \text{ m}}{1 \text{ m}^2}$$

Exercise E1 Pure Resistor Network Simplification
(written test, approx. 12 % of a 60-minute written test, SS2023)

Calculate the voltage U in K , when switch S is closed.

Result

The values in the circuit are

Solution

$$R_1 = 60 \text{ } \Omega$$

$$R_2 = 40 \text{ } \Omega$$

$$R_3 = 40 \text{ } \Omega$$

- $R_4 = 100 \text{ } \Omega$

The voltage divider for node K has the same proportionality as the voltage divider for node K' . Therefore, the potential of K is the same as for K' . There will be no current flow through R_3 . The resistance does not create a voltage drop and therefore does not interfere with the circuit.

1. Calculate the voltage at node K , when switch S is open. It might be beneficial to redraw the circuit first.

Solution

Rearranging the circuit one can get:

Once the switch S is opened, the upper part is a parallel circuit. Therefore, R_{eq} is given as:

$$R_{\text{eq}} = (R_1 + R_2) \parallel (R_1 + R_2) + R_4 = \frac{1}{2} \cdot (R_1 + R_2) + R_4 = \frac{1}{2} \cdot (60 \Omega + 40 \Omega) + 100 \Omega$$

Exercise E2 Pure Resistor Network Simplification I
(written test, approx. 14 % of a 60-minute written test, SS2023)

The circuit below should be given as $U_{\text{AB}} = 60 \text{ V}$. What is the value for I_{AB} the circuit?

Solution

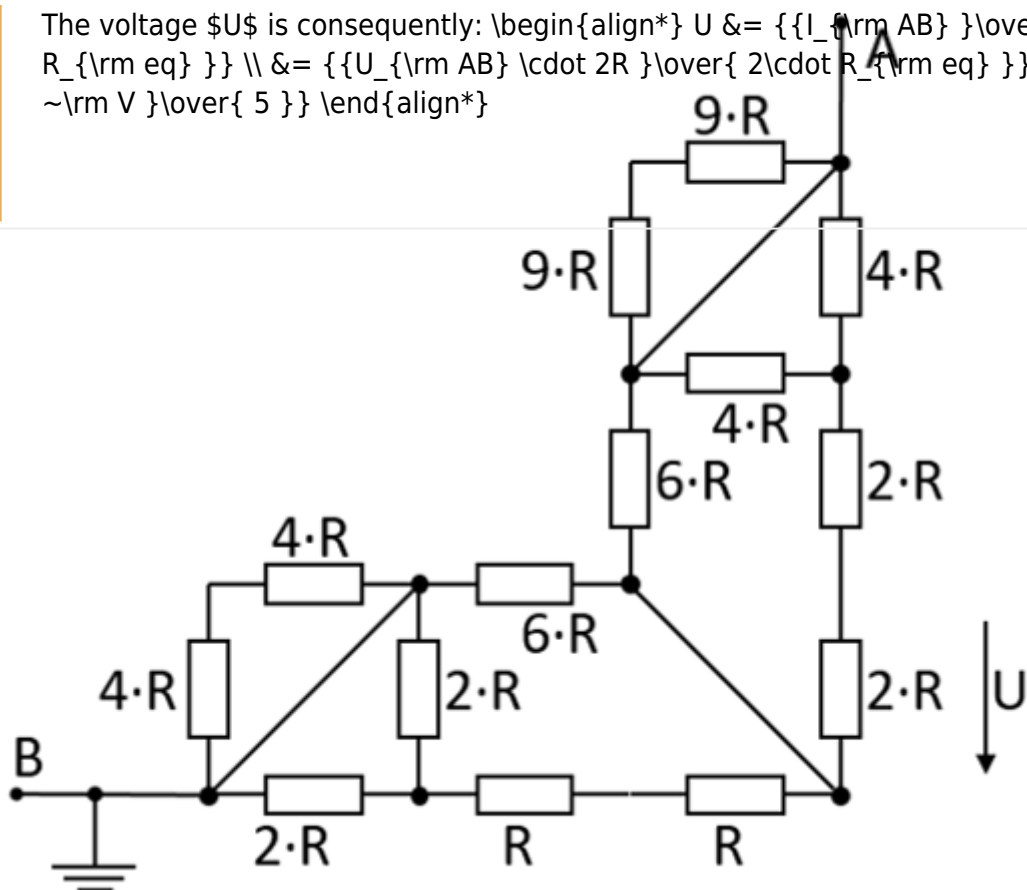
$$I_{\text{AB}} = \frac{U_{\text{AB}}}{R_{\text{eq}}} = \frac{60 \text{ V}}{60 \Omega} = 1 \text{ A}$$

The current through the circuit is given as $I_{\text{AB}} = \frac{U_{\text{AB}}}{R_{\text{eq}}}$.

This current has to flow in summary through parallel branches. The voltage U in question in the upper right branch given by $(4R \parallel 4R) + 2R + 2R$. Its resistance is just the same as the upper left branch $6R$.

Therefore, half of the current flows to the left half to the right side.

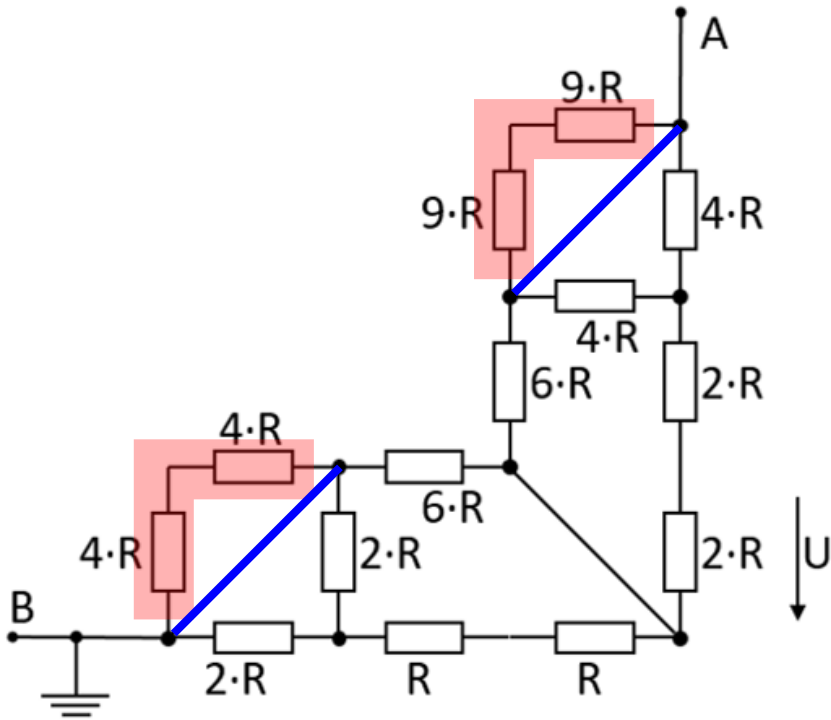
The voltage U is consequently:
$$U = \frac{I_{\text{arm AB}}}{2 \cdot R_{\text{eq}}} \quad \parallel \quad U_{\text{AB}} \cdot 2R = 2 \cdot R_{\text{eq}} \quad \parallel \quad U = \frac{60 \text{ V}}{5}$$



1. What is the equivalent resistance R_{eq} ?

Solution

Part of the circuit is shorted. Here the resistors (marked in red) are shorted by the connections marked in blue:



The circuit can then be rearranged for better interpretation:

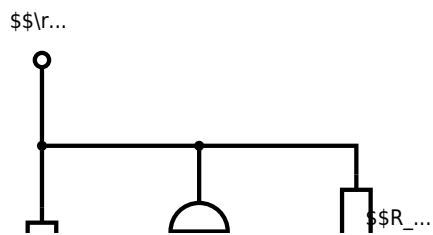
Therefore, R_{eq} is given as:
$$R_{\text{eq}} = (2R || 2R + R +$$

$$R_1 || 6R + 6R || (2R + 2R + 4R || 4R) || (R + R + R) || 6R + 6R || (2R + 2R + 2R) || 3R || 6R + 6R || 6R || \frac{3R \cdot 6R}{3R + 6R} + 3R$$

Exercise E1 Equivalent Linear Source
(written test, approx. 10 % of a 60-minute written test, SS2023)

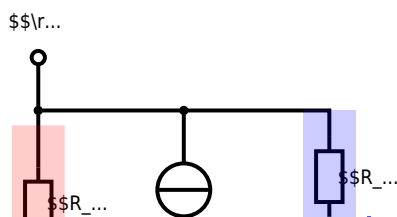
The circuit below has to be simplified. Use equivalent linear sources for simplification.
 Calculate the internal resistance R_{i} and the source voltage U_{s} of an equivalent linear voltage source.

- $R_1 = 5 \text{ } \Omega$
- $U_1 = 10 \text{ V}$
- $R_2 = 5 \text{ } \Omega$
- $I_3 = 0.5 \text{ A}$
- $R_4 = 10 \text{ } \Omega$
- $U_5 = 4 \text{ V}$



Solution

The principle idea here is to find parts of the circuit which are already a linear (voltage or current) source. Then this can be transformed into the equivalent other source, as shown in the next picture.



In order to get the currents one has to calculate it by $I_x = \frac{U_x}{R_x}$

$$\begin{aligned} I_0 &= \frac{U_0}{R_1} = \frac{10 \text{ V}}{5 \text{ } \Omega} = 2 \text{ A} \\ I_5 &= \frac{U_5}{R_4} = \frac{4 \text{ V}}{10 \text{ } \Omega} = 0.4 \text{ A} \end{aligned}$$

I_3 and I_0 can be combined to $I_{03} = I_0 - I_3$ facing upwards:

$$I_{03} = 1.5 \text{ A}$$

Then, the linear current source I_{03} with R_1 gets transformed into a linear voltage source with $U_{03} = R_1 \cdot I_{03}$ facing down.

$$U_{03} = 7.5 \text{ V}$$

Then, the resistors R_1 and R_2 can be combined to $R_{12} = R_1 + R_2$.

After this, the next step is to make a linear current source out of U_{03} and R_{12} . The current will be $I_{0123} = \frac{U_{03}}{R_{12}}$, facing up again.

$$I_{0123} = 0.6 \text{ A}$$

The second-last step is the sum up of the current sources I_{0123} and I_5 as $I_{01235} = I_{0123} - I_5$ and the resistors as $R_{124} = R_{12} || R_4$.

$$I_{01235} = 0.2 \text{ A} \quad R_{124} = 5.55 \text{ } \Omega$$

Calculate the resistance for the dielectric material for $20 \text{ }^\circ\text{C}$.

Solution

$$R(20 \text{ }^\circ\text{C}) = \rho \cdot \frac{d}{A} = 10^{17} \frac{\Omega \cdot \text{m} \cdot 0.8 \cdot 10^{-6} \text{ m}}{1 \text{ m}^2}$$

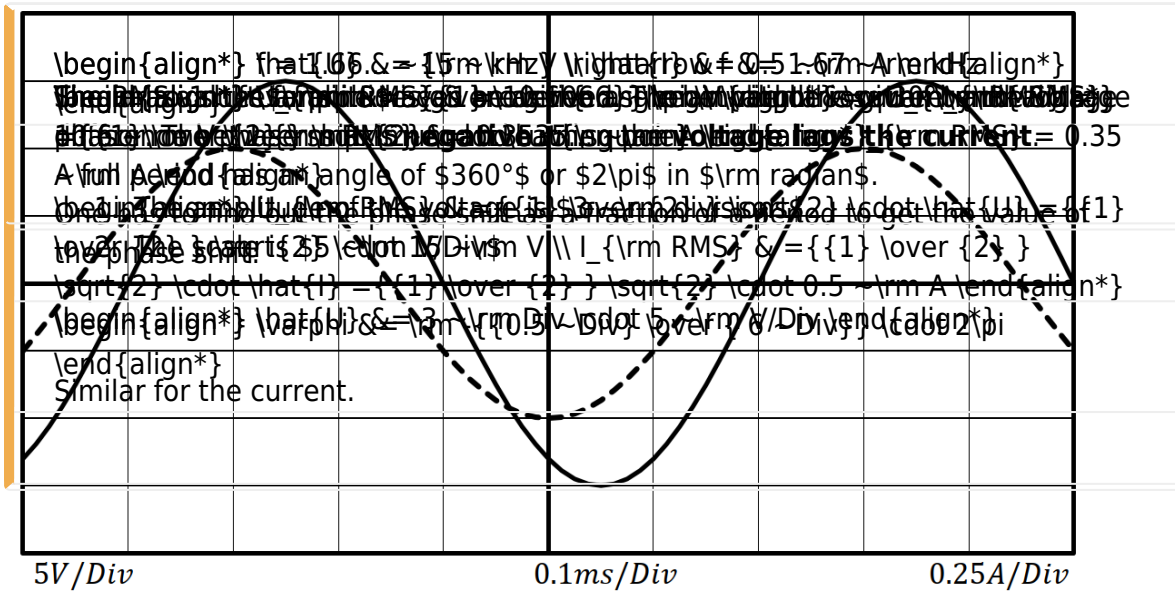
[electrical_engineering_and_electronics:task_kyt15w11e3sempb2_with_calculation](#)
resistivity, power, exam ee1 ss2023

Exercise E2 Analyzing a Scope Plot (written test, approx. 12 % of a 60-minute written test, SS2023)

1. What is the RMS value of a sine wave with a peak-to-peak value of 10 V and a phase shift of 45° (in radians and degree)?

Result: measured current curve shall be visible as a dashed line.

The continuous line shows the voltage.



Use the correct symbols and units in your answers!

1. Calculate the frequency f of the periodic signals.

Solution

Frequency f is given by the period T . The period can be measured in the image of the scope.

1. The sine waves repeat after $6 \text{ ~}\mu\text{m divisions}$ (e.g. from falling turning point to falling turning point of one curve)
2. The scale is $0.1 \text{ ~}\mu\text{m ms/Div}$

$$f = \frac{1}{T} \quad T = 6 \text{ ~}\mu\text{m Div} \cdot 0.1 \text{ ~}\mu\text{ms/Div}$$

$$\rightarrow f = \frac{1}{6 \text{ ~}\mu\text{m Div} \cdot 0.1 \text{ ~}\mu\text{ms/Div}}$$

[electrical_engineering_and_electronics:task_1m3izw2szosswtto_with_calculation_exam_ee1_ss2023](#)

Exercise E3 Complex voltage dividers

(written test, approx. 16 % of a 60-minute written test, SS2023)

Task: Draw the two impedances in this circuit, resulting phase shift between

Result: U_a drag ϕ . **Choose an appropriate scaling** factor and write it down.

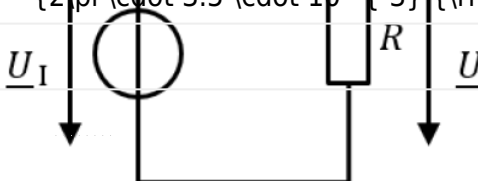
- $R = 1.1 \text{ ~}\mu\text{m k}\Omega$

$$\underline{Z}_L = 3.5 \cdot 10^{-3} \text{ mH}$$

$$\underline{U}_O = \underline{U}_I \cdot \frac{R}{R + \underline{Z}_L} = 0.5 \text{ V} - j \cdot 1.5 \text{ V}$$

The formula to start with is the (complex) voltage divider:
$$\underline{U}_O = \underline{U}_I \cdot \frac{R}{R + \underline{Z}_L}$$

And at the frequency of interest, the absolute values of impedances Z_L is equal to $Z_L = \omega L = 2\pi \cdot 150 \text{ kHz} \cdot 3.5 \text{ mH} = 3.297 \text{ m}\Omega$. This leads to
$$\frac{Z_L}{R} = \frac{3.297 \text{ m}\Omega}{10 \text{ }\Omega} = 0.3297 \cdot 10^{-3} = 3.297 \cdot 10^{-4}$$



1. Calculate the impedance \underline{Z}_L .

Solution

$$\underline{Z}_L = j \cdot \omega \cdot L = j \cdot 2\pi \cdot 150 \text{ kHz} \cdot 3.5 \text{ mH}$$

electrical_engineering_and_electronics:task_c9f15i7l797equs_with_calculation impedance, phasor, cutoff, exam ee1 ss2023

Exercise E1 Pure Resistor Network Simplification (written test, approx. 12 % of a 60-minute written test, SS2023)

Calculate the voltage U_K , when switch S is closed.

Result
The values in the circuit are

Solution
 • $R_1 = 60 \text{ }\Omega$
 • $R_2 = 40 \text{ }\Omega$
 • $R_3 = 40 \text{ }\Omega$
 • $R_4 = 150 \text{ }\Omega$
 • $U = 100 \text{ V}$
 The voltage divider node K has the same proportionality as the voltage divider node K' . Therefore, the potential of K is the same as for K' . There will be no current flow through R_3 . The resistance does not create a voltage drop and therefore does not interfere with the circuit.

1. Calculate the voltage at node K , when switch S is open.
It might be beneficial to redraw the circuit first.

Solution

Rearranging the circuit one can get:

Once the switch S is opened, the upper part is a parallel circuit. Therefore, R_{eq} is given as:

$$R_{\text{eq}} = \frac{1}{\frac{1}{R_1 + R_2} + \frac{1}{(R_1 + R_2) + R_4}} \cdot (R_1 + R_2) + R_4 = \frac{1}{\frac{1}{2} + \frac{1}{60 + 40}} \cdot (60 + 40) + 100$$

[electrical_engineering_and_electronics:task_cgeyprm6oboukcci_with_calculation_network_simplification, exam ee1 ss2023](#)

Exercise E2 Pure Resistor Network Simplification I (written test, approx. 14 % of a 60-minute written test, SS2023)

The circuit below voltage is given as $U_{\text{AB}} = 60 \text{ V}$. What is the value for I in the circuit?

Solution

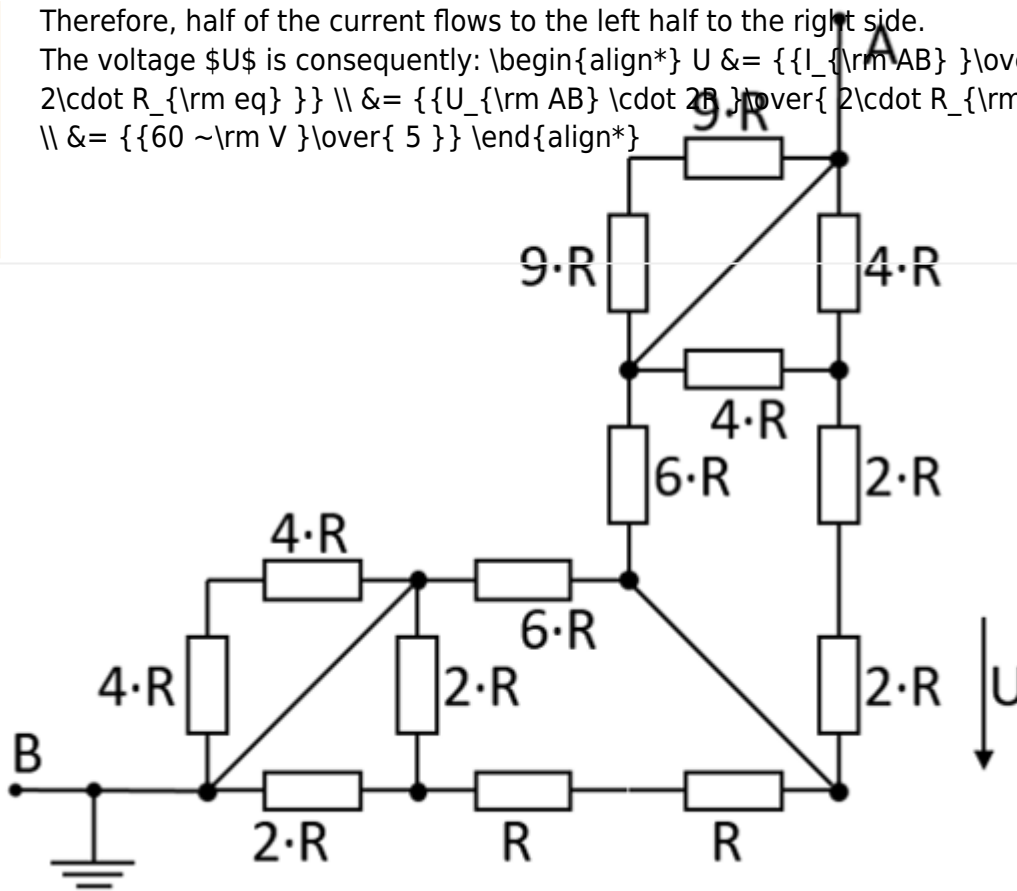
$$I = \frac{U_{\text{AB}}}{R_{\text{eq}}} = \frac{60}{50} = 1.2 \text{ A}$$

The current through the circuit is given as $I_{\text{AB}} = U_{\text{AB}} \cdot R_{\text{eq}}$.

This current has to flow in summary through parallel branches. The voltage U in question in the upper right branch given by $(4R || 4R) + 2R + 2R$. Its resistance is just the same as the upper left branch $6R$.

Therefore, half of the current flows to the left half to the right side.
 The voltage U is consequently:
$$U = \frac{I_{AB}}{2 \cdot R_{eq}} = \frac{U_{AB} \cdot 2R}{2 \cdot R_{eq}}$$

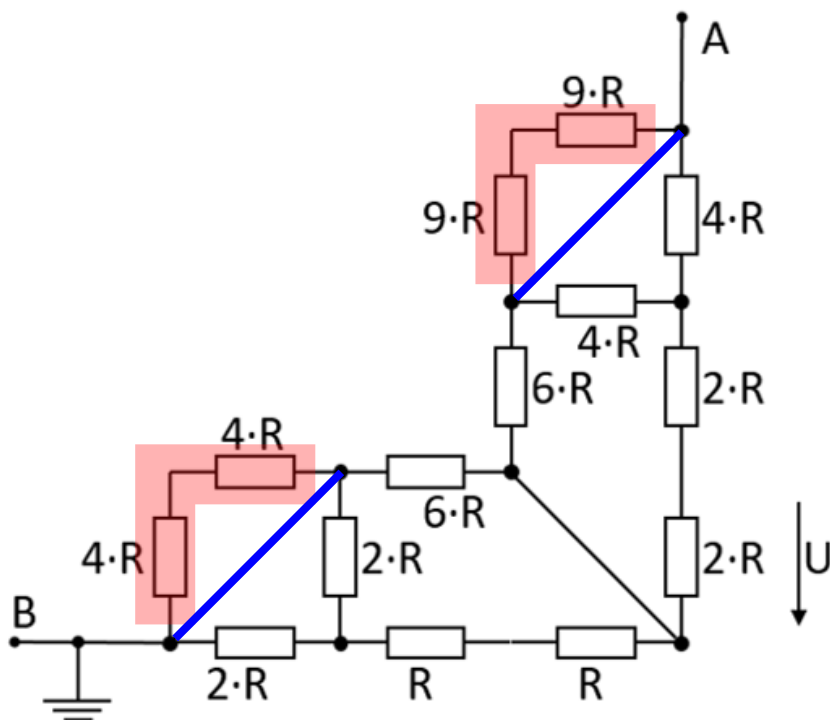
$$= \frac{60 \text{ V}}{5}$$



1. What is the equivalent resistance R_{eq} ?

Solution

Part of the circuit is shorted. Here the resistors (marked in red) are shorted by the connections marked in blue:



The circuit can then be rearranged for better interpretation:

Therefore, R_{eq} is given as:
$$R_{\text{eq}} = (2R \parallel (2R + R)) \parallel 6R + 6R \parallel ((2R + 2R + 4R) \parallel 4R) \parallel ((R + R + R) \parallel 6R + 6R \parallel (2R + 2R))$$

$$+ 2R) \parallel \&= 3R \parallel 6R \&\&+ 6R \parallel 6R \parallel \&= \frac{3R \cdot 6R}{3R+6R} \&\&+ 3R \parallel$$

$$\end{align*}$$

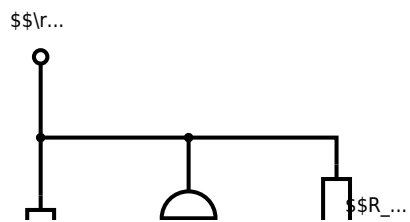
[electrical_engineering_and_electronics:task_erlctd760zmvox0t_with_calculation_network_simplification, exam ee1 ss2023](#)

Exercise E1 Equivalent Linear Source

(written test, approx. 10 % of a 60-minute written test, SS2023)

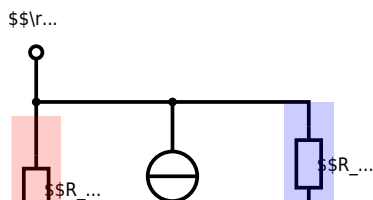
The circuit below has to be simplified. Use equivalent linear sources for simplification. Calculate the internal resistance R_{i} and the source voltage U_{s} of an equivalent linear voltage source.

- $R_1 = 5 \text{ } \Omega$
- $U_{\text{AB}} = 1.11 \dots \text{ V}$
- $R_2 = 10 \text{ } \Omega$
- $I_3 = 0.5 \text{ A}$
- $R_4 = 10 \text{ } \Omega$
- $U_5 = 4 \text{ V}$



Solution

The principle idea here is to find parts of the circuit which are already a linear (voltage or current) source. Then this can be transformed into the equivalent other source, as shown in the next picture.



In order to get the currents one has to calculate it by $I_x = \frac{U_x}{R_x}$

$$I_0 = \frac{U_0}{R_1} = \frac{10 \text{ V}}{5 \Omega} = 2 \text{ A}$$

$$I_5 = \frac{U_5}{R_4} = \frac{4 \text{ V}}{10 \Omega} = 0.4 \text{ A}$$

I_3 and I_0 can be combined to $I_{03} = I_0 - I_3$ facing upwards:

$$I_{03} = 1.5 \text{ A}$$

Then, the linear current source I_{03} with R_1 gets transformed into a linear voltage source with $U_{03} = R_1 \cdot I_{03}$ facing down.

$$U_{03} = 7.5 \text{ V}$$

Then, the resistors R_1 and R_2 can be combined to $R_{12} = R_1 + R_2$.

After this, the next step is to make a linear current source out of U_{03} and R_{12} . The current will be $I_{0123} = \frac{U_{03}}{R_{12}}$, facing up again.

$$I_{0123} = 0.6 \text{ A}$$

The second-last step is the sum up of the current sources I_{0123} and I_5 as $I_{01235} = I_{0123} - I_5$ and the resistors as $R_{124} = R_{12} || R_4$.

$$I_{01235} = 0.2 \text{ A} \quad R_{124} = 5.55 \dots \Omega$$

The final step is the back-transformation to a linear voltage source, with U_{rm}

$$AB\} = R_{124} \cdot I_{01235}$$

The simplest and fastest (= for exams) is to work with interim results in the calculation.

Here, there there is also a full final formula given:

$$\begin{aligned} U_{\text{rms}} &= U_{\text{AB}} = I_{01235} \cdot R_{124} \\ &= (I_{0123} - I_5) \cdot (R_{12} \parallel R_4) \\ &= \left(\frac{U_{03}}{R_{12}} - I_5 \right) \cdot \left(\frac{R_1 + R_2}{R_1 + R_2 + R_4} \right) \\ &= \left(\frac{R_1 \cdot I_{03}}{R_1 + R_2} - I_5 \right) \cdot \left(\frac{R_1 + R_2}{R_1 + R_2 + R_4} \right) \\ &= \left(\frac{R_1 \cdot \left(\frac{U_0}{R_1} - I_3 \right)}{R_1 + R_2} - I_5 \right) \cdot \left(\frac{R_1 + R_2}{R_1 + R_2 + R_4} \right) \end{aligned}$$

[electrical_engineering_and_electronics:task_lefcuaxiu8ewcr9_with_calculation_network_simplification, equivalent_sources, exam ee1 ss2023](#)

Exercise E4 (Dis)Charging Capacities

(written test, approx. 14 % of a 60-minute written test, SS2023)

The circuit shown in the drawing is a circuit with a voltage source U and a capacitor C . At $t = 0$, the switch S_1 switches to the situation shown in the drawing. What is the new time constant?

- $C = 200 \text{ nF}$

Solution: $R = 8.0 \text{ k}\Omega$

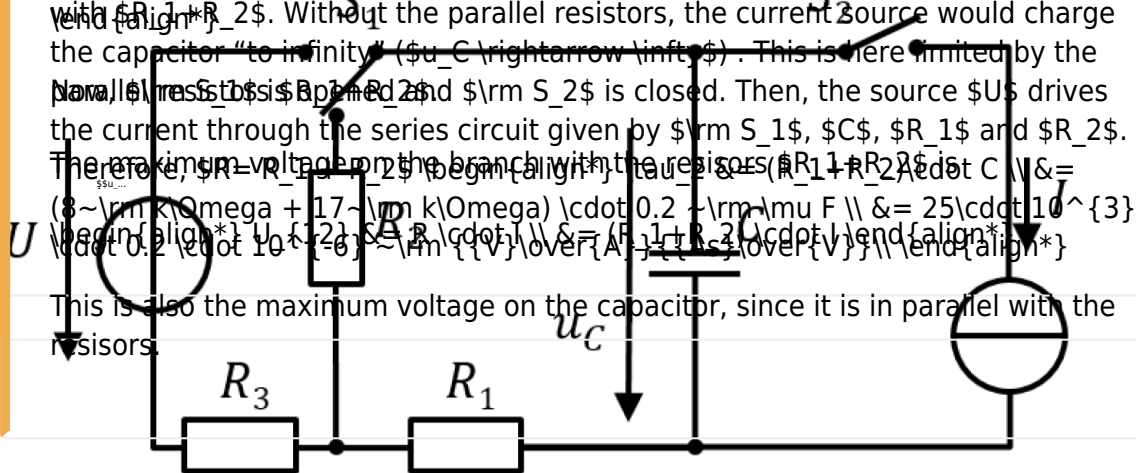
Solution: $\tau = 0.16 \text{ ms}$

$$U_{\text{max}} = U \cdot \frac{R_1 + R_2}{R_1 + R_2 + R_3} = 10 \text{ V} \cdot \frac{17 \text{ k}\Omega + 17 \text{ k}\Omega}{17 \text{ k}\Omega + 17 \text{ k}\Omega + 8 \text{ k}\Omega} = 6.9 \text{ V}$$

Again, the time constant is given by $\tau = RC$ in parallel with $R_1 + R_2$. Without the parallel resistors, the current source would charge the capacitor "to infinity" ($U_C \rightarrow \infty$). This is here limited by the parallel resistors $R_1 + R_2$ and S_2 is closed. Then, the source U drives the current through the series circuit given by S_1 , C , R_1 and R_2 .

$$U_{\text{max}} = U \cdot \frac{R_1 + R_2}{R_1 + R_2 + R_3} = 10 \text{ V} \cdot \frac{17 \text{ k}\Omega + 17 \text{ k}\Omega}{17 \text{ k}\Omega + 17 \text{ k}\Omega + 8 \text{ k}\Omega} = 6.9 \text{ V}$$

This is also the maximum voltage on the capacitor, since it is in parallel with the resistors.



Before $t = 0$ all switches are switched as shown and the capacitor is fully discharged. At $t = 0$ the switch S_1 shall switch to the voltage source.

1. Calculate the time constant for charging the capacitor.

Solution

The time constant is generally given as: $\tau = R \cdot C$

Once S_1 is closed and S_2 is open at t_0 , the source U drives the current through the series circuit given by S_1 , C , R_1 and R_3 .
 Therefore, $R = R_1 + R_3$ $\tau_1 = (R_1 + R_3) \cdot C = (8 \text{ k}\Omega + 7 \text{ k}\Omega) \cdot 0.2 \text{ }\mu\text{F} = 15 \cdot 10^3 \cdot 0.2 \cdot 10^{-6} \text{ s} = 3 \text{ }\mu\text{s}$

⚡⚡⋯

Solution

Both courses of the voltage for charging and discharging are described with an exponential function. However, the curve for charging increases first steep and flattens out for longer time scales ($\propto (1 - e^{-x})$).

[electrical_engineering_and_electronics:task_p8yrdjr60k6bvc4n_with_calculation_charging, capacities, exam ee1 ss2023](#)

Exercise E5 Impedances at Frequencies

(written test, approx. 14 % of a 60-minute written test, SS2023)

At an inductor with $L = 60 \text{ mH}$ following the magnetic flux changes of $\Phi = 0.8 \text{ V}$ the result is measured with $I = 5.6 \text{ A}$.

1. An inductor with $L_1 = 60 \text{ mH}$ and $f = 15.9 \text{ Hz}$.

Solution

$$f = \frac{1}{2\pi L I} = \frac{1}{2\pi \cdot 60 \cdot 10^{-3} \cdot 5.6} = 0.00047 \text{ Hz}$$

$$X_L = \omega L = 2\pi f L = 2\pi \cdot 15.9 \cdot 60 \cdot 10^{-3} = 6.0 \text{ Ohm}$$

electrical_engineering_and_electronics:task_uzbbnoz8abe6201d_with_calculation exam ee1 ss2023

Exercise E1 Efficiency

(written test, approx. 14 % of a 60-minute written test, SS2023)

1. (14.1) A battery with an internal resistance $r = 0.05 \text{ Ohm}$ and an open-circuit voltage $U_0 = 3.5 \text{ V}$. The battery shall provide energy for an external device with a resistance of $R = 3 \text{ Ohm}$.

Solution: energy of an external device is $W = I^2 R t$ and the energy of the battery is $W_{bat} = U_0 I t$. The efficiency is $\eta = \frac{W}{W_{bat}} = \frac{I^2 R t}{U_0 I t} = \frac{I R}{U_0}$. The current I is determined by the circuit diagram.

Solution

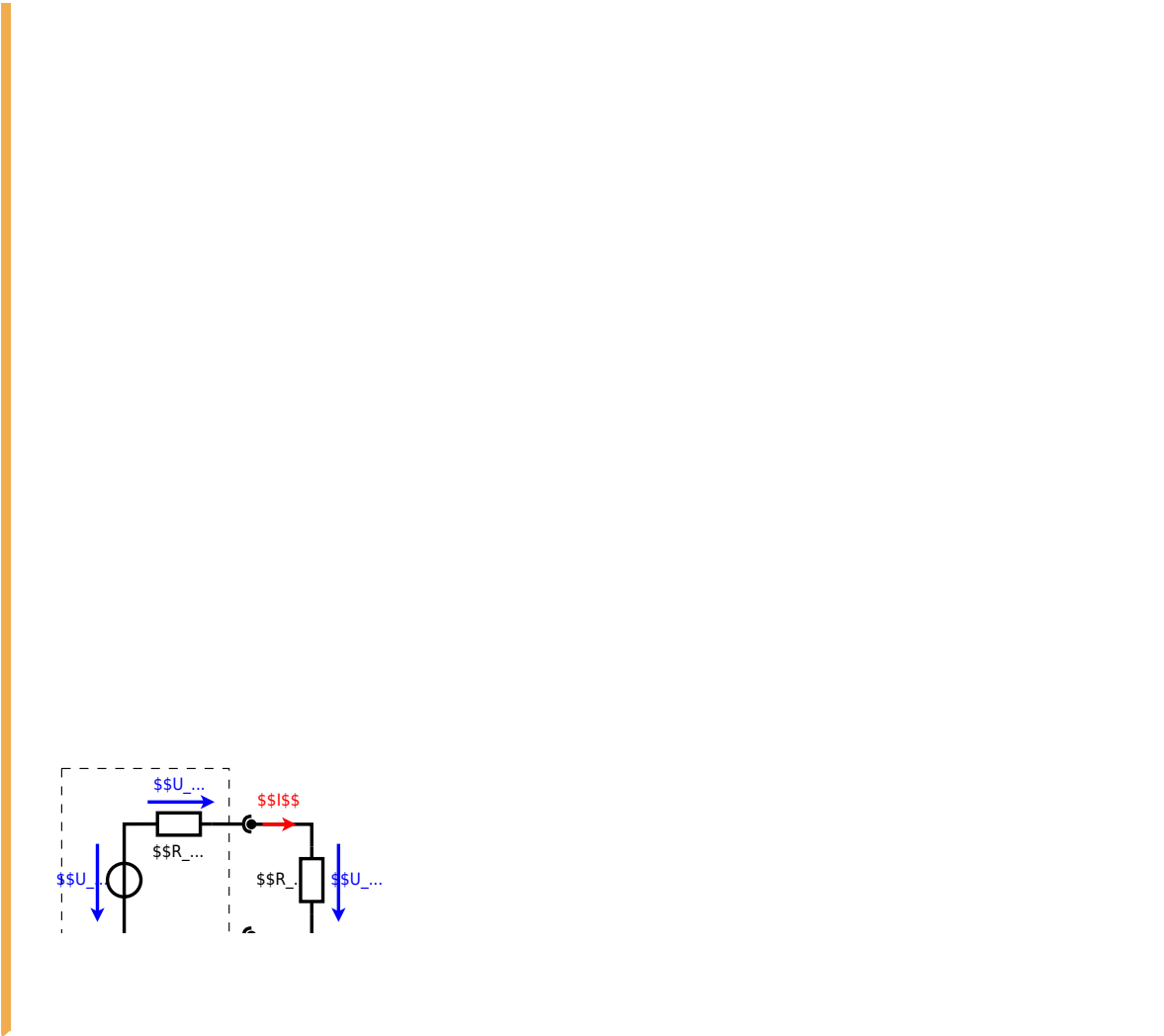
$$\eta = \frac{I R}{U_0} = \frac{I \cdot 3}{3.5}$$

lowest efficiency for highest current I (for $R = 3 \text{ Ohm}$)

.. Efficiency: **valent circuit diagram** with the internal resistance and an external load $R = 3 \text{ Ohm}$ and current I .

$$I = \frac{U_0}{R + r} = \frac{3.5}{3 + 0.05} = 1.16 \text{ A}$$

$$\eta = \frac{1.16 \cdot 3}{3.5} = 0.99$$



electrical_engineering_and_electronics:task_w3wf215v2u98ty07_with_calculation
efficiency, charges, power, exam ee1 ss2023

From:
<https://mexle.te.hs-heilbronn.de/> - **MEXLE Wiki**

Permanent link:
https://mexle.te.hs-heilbronn.de/electrical_engineering_and_electronics_1/ss2023_exam

Last update: **2026/01/12 00:31**

