

# Exam Winter Semester 2022

## Student Group

First Name	Surname	Matrikel Nr.

## Table of Contents

- Exercise E4 Resistance of a Wire by Resistivity (written test, approx. 6 % of a 60-minute written test, WS2022) ..... 3
- Exercise E1 Resistance of a Wire by Resistivity (written test, approx. 6 % of a 60-minute written test, WS2022) ..... 3
- Exercise E1 Temperature-dependent Resistance (written test, approx. 6 % of a 60-minute written test, WS2022) ..... 4
- Exercise E2 Temperature-dependent Resistance (written test, approx. 6 % of a 60-minute written test, WS2022) ..... 4
- Exercise E6 Pure Resistor Network Simplification (written test, approx. 13 % of a 60-minute written test, WS2022) ..... 5
- Exercise E3 Pure Resistor Network Simplification (written test, approx. 13 % of a 60-minute written test, WS2022) ..... 6
- Exercise E1 Equivalent linear Source (written test, approx. 14 % of a 60-minute written test, WS2022) ..... 8
- Exercise E3 Equivalent linear Source (written test, approx. 14 % of a 60-minute written test, WS2022) ..... 12
- Exercise E5 Charging Capacitors (written test, approx. 16 % of a 60-minute written test, WS2022) ..... 16
- Exercise E4 Charging Capacitors (written test, approx. 16 % of a 60-minute written test, WS2022) ..... 17
- Exercise E2 Analyzing complex Impedances (written test, approx. 14 % of a 60-minute written test, WS2022) ..... 19
- Exercise E5 Analyzing complex Impedances (written test, approx. 14 % of a 60-minute written test, WS2022) ..... 19
- Exercise E3 Impedances at different Frequencies (written test, approx. 18 % of a 60-minute written test, WS2022) ..... 20
- Exercise E6 Impedances at different Frequencies (written test, approx. 18 % of a 60-minute written test, WS2022) ..... 20
- Exercise E1 Complex Impedance Circuit (written test, approx. 15 % of a 60-minute written test, WS2022) ..... 20

---

test, WS2022) .....	21
Exercise E7 Complex Impedance Circuit (written test, approx. 15 % of a 60-minute written test, WS2022) .....	24

C

### Exercise E4 Resistance of a Wire by Resistivity (written test, approx. 6 % of a 60-minute written test, WS2022)

A heating element made of nichrome wire with a temperature coefficient of  $1.80 \cdot 10^{-5} \text{ K}^{-1}$  is used for electric power dissipation (= heat flow) of  $P=40 \text{ W}$  is necessary.

Calculate the current  $I$  and the operating voltage  $U$  for heating elements.

The Nichrome wire has a resistivity of  $1.10 \cdot 10^{-6} \text{ } \Omega \text{ m}$ .

The heating element is  $3 \text{ m}$  long and has a diameter of  $3.57 \text{ mm}$ .

∴ Calculate the resistance  $R$  of the heating element.

Solution

$$\begin{aligned} P &= U \cdot I = R \cdot I^2 \quad \rightarrow \quad I = \sqrt{\frac{P}{R}} \\ \sqrt{\frac{P}{R}} &= \sqrt{\frac{40 \text{ W}}{0.33 \text{ } \Omega}} \end{aligned}$$

$$\begin{aligned} R &= \rho \cdot \frac{l}{A} \quad | \quad \text{with } A = r^2 \cdot \pi = \frac{1}{4} d^2 \cdot \pi \\ R &= \rho \cdot \frac{l}{\frac{1}{4} d^2 \cdot \pi} \quad | \quad R = 1.10 \cdot 10^{-6} \text{ } \Omega \text{ m} \cdot \frac{4 \cdot 3 \text{ m}}{(3.57 \cdot 10^{-3} \text{ m})^2 \cdot \pi} \end{aligned}$$

### Exercise E1 Resistance of a Wire by Resistivity (written test, approx. 6 % of a 60-minute written test, WS2022)

A heating element made of nichrome wire with a temperature coefficient of  $1.80 \cdot 10^{-5} \text{ K}^{-1}$  is used for electric power dissipation (= heat flow) of  $P=40 \text{ W}$  is necessary.

Calculate the current  $I$  and the operating voltage  $U$  for heating elements.

The Nichrome wire has a resistivity of  $1.10 \cdot 10^{-6} \text{ } \Omega \text{ m}$ .

The heating element is  $3 \text{ m}$  long and has a diameter of  $3.57 \text{ mm}$ .

∴ Calculate the resistance  $R$  of the heating element.

Solution

$$\begin{aligned} P &= U \cdot I = R \cdot I^2 \quad \rightarrow \quad I = \sqrt{\frac{P}{R}} \\ \sqrt{\frac{P}{R}} &= \sqrt{\frac{40 \text{ W}}{0.33 \text{ } \Omega}} \end{aligned}$$

$$\begin{aligned} R &= \rho \cdot \frac{l}{A} \quad | \quad \text{with } A = r^2 \cdot \pi = \frac{1}{4} d^2 \cdot \pi \\ R &= \rho \cdot \frac{l}{\frac{1}{4} d^2 \cdot \pi} \quad | \quad R = 1.10 \cdot 10^{-6} \text{ } \Omega \text{ m} \cdot \frac{4 \cdot 3 \text{ m}}{(3.57 \cdot 10^{-3} \text{ m})^2 \cdot \pi} \end{aligned}$$

**Exercise E1 Temperature-dependent Resistance**  
**(written test, approx. 6 % of a 60-minute written test, WS2022)**

2. A refrigerator explains a temperature coefficient of resistance of a thermistor used in a refrigerator. The thermistor has a resistance of  $10 \text{ k}\Omega$  at  $25^\circ\text{C}$ . Its temperature coefficients are:  $\alpha = 0.01 \text{ K}^{-1}$  and  $\beta = 71 \cdot 10^{-6} \text{ K}^{-2}$ .

Result: The temperature inside the refrigeration system can reach down to  $-40^\circ\text{C}$ .

Result: Calculate the resistance of the thermistor at  $-40^\circ\text{C}$ .

Result:  $R = 6.5 \text{ k}\Omega$

Result: The power transfer is reduced by a factor of 10. Therefore, a solution is to use a higher heat up the refrigeration system.

Therefore, with constant  $U$  and increasing  $R$  the power decreases. Ten times more resistance decreases the heat flow to one-tenth.

$$R = R_0 \cdot (1 + \alpha \cdot \Delta T + \beta \cdot \Delta T^2)$$

$$\Delta T = T_{\text{end}} - T_{\text{start}}$$

$$R = 10 \text{ k}\Omega \cdot \left(1 + 0.01 \text{ K}^{-1} \cdot (-40^\circ\text{C} - 25^\circ\text{C}) + 71 \cdot 10^{-6} \text{ K}^{-2} \cdot (-40^\circ\text{C} - 25^\circ\text{C})^2\right)$$

**Exercise E2 Temperature-dependent Resistance**  
**(written test, approx. 6 % of a 60-minute written test, WS2022)**

2. A refrigerator explains a temperature coefficient of resistance of a thermistor used in a refrigerator. The thermistor has a resistance of  $10 \text{ k}\Omega$  at  $25^\circ\text{C}$ . Its temperature coefficients are:  $\alpha = 0.01 \text{ K}^{-1}$  and  $\beta = 71 \cdot 10^{-6} \text{ K}^{-2}$ .

Result: The temperature inside the refrigeration system can reach down to  $-40^\circ\text{C}$ .

Result: Calculate the resistance of the thermistor at  $-40^\circ\text{C}$ .

Result:  $R = 6.5 \text{ k}\Omega$

Result: The power transfer is reduced by a factor of 10. Therefore, a solution is to use a higher heat up the refrigeration system.

Therefore, with constant  $U$  and increasing  $R$  the power decreases. Ten times more resistance decreases the heat flow to one-tenth.

$$R = R_0 \cdot (1 + \alpha \cdot \Delta T + \beta \cdot \Delta T^2)$$

$$\Delta T = T_{\text{end}} - T_{\text{start}}$$

$$R = 10 \text{ k}\Omega \cdot \left(1 + 0.01 \text{ K}^{-1} \cdot (-40^\circ\text{C} - 25^\circ\text{C}) + 71 \cdot 10^{-6} \text{ K}^{-2} \cdot (-40^\circ\text{C} - 25^\circ\text{C})^2\right)$$

**Exercise E6 Pure Resistor Network Simplification**  
**(written test, approx. 13 % of a 60-minute written test, WS2022)**

The following shall be solved at once,  $R_2 = R_3 = 100 \Omega$  and the switch shall be open. Calculate the equivalent resistance  $R_{eq}$  between  $A$  and  $B$ .

Solution

$$R_{eq} = 133.8 \Omega$$

Now a wye-delta transformation is necessary.



Since  $R_2 = R_3$  and based on the equations for the transformation, the transformed  $R_Y$  is given as:

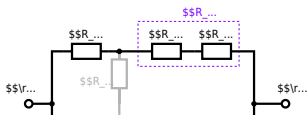
$$R_Y = \frac{R_2 \cdot R_2}{R_2 + R_2 + R_2} = \frac{(100 \Omega)^2}{3 \cdot 100 \Omega} = \frac{1}{3} \cdot 100 \Omega = 33.33 \Omega$$

The equivalent resistor is given by a parallel configuration of resistors in series:

$$R_{eq} = R_Y + (R_Y + R_1 + R_1) \parallel (R_Y + R_2) \parallel (R_Y + R_2)$$

.. The switch shall now be open. Calculate the equivalent resistance  $R_{eq}$  between  $A$  and  $B$ .

Solution



The equivalent resistor is given by a parallel configuration of resistors in series:

$$R_{\text{eq}} = (R_2 + R_1 + R_1) \parallel (R_2 + R_2) \parallel (100 \Omega + 200 \Omega + 200 \Omega) \parallel (100 \Omega + 100 \Omega) \parallel (500 \Omega) \parallel (200 \Omega) \parallel (500 \Omega \cdot 200 \Omega) / (500 \Omega + 200 \Omega)$$

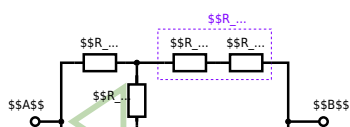
**Exercise E3 Pure Resistor Network Simplification (written test, approx. 13 % of a 60-minute written test, WS2022)**

The following shall be solved with  $R_1 = 200 \Omega$ ,  $R_2 = R_3 = 100 \Omega$  and the source  $B = 10 \text{ V}$ .  
 Result given:  $R_{\text{eq}} = 132.8 \Omega$ .

Solution

$$R_{\text{eq}} = 132.8 \Omega$$

Now a wye-delta transformation is necessary.



Since  $R_2=R_3$  and based on the equations for the transformation, the transformed  $R_Y$  is given as: 
$$R_Y = \frac{R_2 \cdot R_2}{R_2 + R_2 + R_2} = \frac{(100 \Omega)^2}{3 \cdot 100 \Omega} = \frac{1}{3} \cdot 100 \Omega = 33.33 \Omega$$

The equivalent resistor is given by a parallel configuration of resistors in series: 
$$R_{eq} = R_Y + (R_Y + R_1 + R_1) \parallel (R_Y + R_2) \parallel R_{eq} = 33.33 \Omega + (33.33 \Omega + 400 \Omega) \parallel (33.33 \Omega + 100 \Omega)$$

1. The switch shall now be open. Calculate the equivalent resistance  $R_{eq}$  between A and B.

Solution



The equivalent resistor is given by a parallel configuration of resistors in series:

$$R_{\text{eq}} = (R_2 + R_1 + R_{-1}) \parallel (R_2 + R_2) \parallel R_{\text{eq}} = (100 \Omega + 200 \Omega + 200 \Omega) \parallel (100 \Omega + 100 \Omega) \parallel R_{\text{eq}} = (500 \Omega) \parallel (200 \Omega) \parallel R_{\text{eq}} = \frac{500 \Omega \cdot 200 \Omega}{500 \Omega + 200 \Omega} \parallel R_{\text{eq}}$$

**Exercise E1 Equivalent linear Source  
(written test, approx. 14 % of a 60-minute written test, WS2022)**

The circuit in the following has to be simplified.  
Result

$$U_{\text{s}} = U_{\text{AB}} = 4.5 \text{ V} \quad R_{\text{i}} = R_{\text{AB}} = 6 \Omega$$



Calculate the internal resistance  $R_{in}$  and the source voltage  $U_{s}$  of an equivalent linear voltage source on the connectors  $A$  and  $B$ .  $R_1=5.0 \Omega$ ,  $U_2=6.0 \text{ V}$ ,  $R_3=10 \Omega$ ,  $I_4=4.2 \text{ A}$ ,  $R_5=10 \Omega$ ,  $R_6=7.5 \Omega$ ,  $R_7=15 \Omega$ . Use equivalent sources in order to simplify the circuit!

Solution

The best thing is to re-think the wiring like rubber bands and adjust them:



The linear voltage source of  $U_2$  and  $R_1$  can be transformed into a current source  $I_2 = \frac{U_2}{R_1}$  and  $R_1$ :



Now a lot of them can be combined. The resistors  $R_1$ ,  $R_3$ ,  $R_5$  are in parallel, like also  $I_2$  and  $I_4$ :

$$R_{135} = R_1 || R_3 || R_5$$

$$I_{24} = I_2 - I_4$$

The resulting circuit can again be transformed:



Here, the  $U_{24}$  is calculated by  $I_{24}$  as the following:

$$U_{24} = I_{24} \cdot (R_6 + R_7)$$

$$U_{24} = U_2 \cdot \frac{R_7}{R_6 + R_7 + R_1 \parallel R_3 \parallel R_5} - I_4 \cdot R_1 \parallel R_3 \parallel R_5$$

On the right side of the last circuit, there is a voltage divider given by  $R_{135}$ ,  $R_6$ , and  $R_7$ .

Therefore the voltage between  $A$  and  $B$  is given as:

$$U_{AB} = U_{24} \cdot \frac{R_7}{R_6 + R_7 + R_1 \parallel R_3 \parallel R_5} - (U_2 \cdot \frac{R_7}{R_1} - I_4) \cdot \frac{R_7 \cdot R_1 \parallel R_3 \parallel R_5}{R_6 + R_7 + R_1 \parallel R_3 \parallel R_5}$$

For the internal resistance  $R_i$  the ideal voltage source is substituted by its resistance ( $=0\Omega$ , so a short-circuit):

$$R_{AB} = R_7 \parallel (R_6 + R_1 \parallel R_3 \parallel R_5)$$

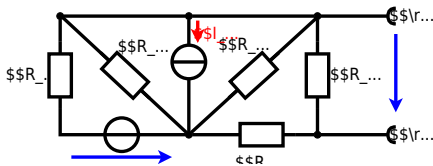
with  $R_1 \parallel R_3 \parallel R_5 = 5\Omega \parallel 10\Omega \parallel 10\Omega = 5\Omega \parallel 5\Omega = 2.5\Omega$ :

$$U_{AB} = \frac{6.0\text{V}}{5.0\Omega} - 4.2\Omega \cdot \frac{15\Omega \cdot 2.5\Omega}{7.5\Omega + 15\Omega + 2.5\Omega} \parallel R_{AB} = 15\Omega \parallel (7.5\Omega + 2.5\Omega)$$

### Exercise E3 Equivalent linear Source (written test, approx. 14 % of a 60-minute written test, WS2022)

The circuit in the following has to be simplified.  
Result

$$U_s = U_{AB} = 4.5\text{V} \parallel R_i = R_{AB} = 6\Omega$$



Calculate the internal resistance  $R_{int}$  and the source voltage  $U_{s}$  of an equivalent linear voltage source on the connectors  $A$  and  $B$ .  $R_1=5.0 \Omega$ ,  $U_2=6.0 \text{ V}$ ,  $R_3=10 \Omega$ ,  $I_4=4.2 \text{ A}$ ,  $R_5=10 \Omega$ ,  $R_6=7.5 \Omega$ ,  $R_7=15 \Omega$ . Use equivalent sources in order to simplify the circuit!

Solution

The best thing is to re-think the wiring like rubber bands and adjust them:



The linear voltage source of  $U_2$  and  $R_1$  can be transformed into a current source  $I_2 = \frac{U_2}{R_1}$  and  $R_1$ :



Now a lot of them can be combined. The resistors  $R_1$ ,  $R_3$ ,  $R_5$  are in parallel, like also  $I_2$  and  $I_4$ :

$$R_{135} = R_1 || R_3 || R_5$$

$$I_{24} = I_2 - I_4 = \frac{U_2}{R_1} - I_4$$

The resulting circuit can again be transformed:



Here, the  $U_{24}$  is calculated by  $I_{24}$  as the following:

$$U_{24} = I_{24} \cdot R_{67}$$

$$U_{AB} = U_{24} \cdot \frac{R_7}{R_6 + R_7 + R_1 || R_3 || R_5} - I_4 \cdot R_1 || R_3 || R_5$$

On the right side of the last circuit, there is a voltage divider given by  $R_{135}$ ,  $R_6$ , and  $R_7$ .

Therefore the voltage between  $A$  and  $B$  is given as:

$$U_{AB} = U_{24} \cdot \frac{R_7}{R_6 + R_7 + R_1 || R_3 || R_5} - (U_2 \cdot \frac{R_7}{R_1} - I_4) \cdot \frac{R_7 \cdot R_1 || R_3 || R_5}{R_6 + R_7 + R_1 || R_3 || R_5}$$

For the internal resistance  $R_i$  the ideal voltage source is substituted by its resistance ( $=0 \Omega$ , so a short-circuit):

$$R_{AB} = R_7 || (R_6 + R_1 || R_3 || R_5)$$

with  $R_1 || R_3 || R_5 = 5 \Omega || 10 \Omega || 10 \Omega = 5 \Omega || 5 \Omega = 2.5 \Omega$ :

$$U_{AB} = \frac{6.0 \text{ V}}{5.0 \Omega} - 4.2 \Omega \cdot \frac{15 \Omega \cdot 2.5 \Omega}{7.5 \Omega + 15 \Omega + 2.5 \Omega}$$

$$R_{AB} = 15 \Omega || (7.5 \Omega + 2.5 \Omega)$$

**Exercise E5 Charging Capacitors**  
**(written test, approx. 16 % of a 60-minute written test, WS2022)**

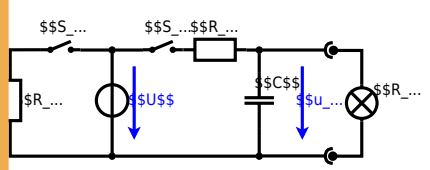
The circuit below is a RC circuit consisting of a DC voltage source  $U$ , a resistor  $R_1$ , a resistor  $R_2$ , a capacitor  $C$ , and a switch  $S_1$ . The switch  $S_1$  is open. The voltage across the capacitor is again  $0 \text{ V}$  at the moment  $t_0 = 0 \text{ s}$  when the switch  $S_1$  is closed. Calculate the voltage  $u_c(t_2)$  across the capacitor at  $t_2 = 1 \text{ ms}$  after closing the switch.

**Solution:** To solve this, first create an equivalent linear voltage source from  $U$ ,  $R_1$ , and  $R_2$ .

The ideal voltage source  $U_{eq}$  is given by:

$$U_{eq} = U \cdot \frac{R_2}{R_1 + R_2}$$

On an alternative view, one can try to create an equivalent linear voltage source again. Then, the internal resistance is given by substituting the ideal voltage source is again short-circuiting  $R_2$ .



The circuit contains a voltage source  $U=12 \text{ V}$ , a switch  $S_1$ , a resistor of  $R_1=20 \text{ }\Omega$  and a capacitor of  $C=100 \text{ }\mu\text{F}$ . The switch  $S_2$  to an additional consumer  $R_2$  will be considered to be open for the first task. At the moment  $t_0=0 \text{ s}$  the switch  $S_1$  is closed, the voltage across the capacitor is  $u_c(t_0)=0 \text{ V}$ .



First do not consider the light bulb - it is not connected to the RC circuit. Calculate the point of time  $t_1$  when  $u_c(t_1)=0.5 \cdot U$ .

Solution



So, here only  $R_1$  and  $C$  gives the time constant:  $\tau = R_1 \cdot C$

The following formula describes the time course of  $u_C(t)$  which has to be  $u_c(t_1)=0.5 \cdot U$ :  

$$u_c(t) = U \cdot (1 - e^{-t/\tau}) = 0.5 \cdot U$$
 It has to be rearranged to  $(1 - e^{-t/\tau}) = 0.5$   
 An equivalent linear voltage source can be given with  $U_s$ ,  $R_1$ , and  $R_B$  as seen in yellow:  

$$U_s = U \cdot \frac{R_B}{R_1 + R_B} = 1/2 \cdot U$$
 The internal resistance is given by substituting the ideal voltage source with its resistance ( $=0 \text{ }\Omega$ , short-circuit).  

$$R_i = R_1 \parallel R_B = 10 \text{ }\Omega$$

Therefore, the voltage of the equivalent linear voltage source is:  $U_s = U \cdot \frac{R_B}{R_1 + R_B} = 1/2 \cdot U$   
 The internal resistance is given by substituting the ideal voltage source with its resistance ( $=0 \text{ }\Omega$ , short-circuit).  

$$R_i = R_1 \parallel R_B = 10 \text{ }\Omega$$
  

$$u_c(t_2) = U_s \cdot (1 - e^{-t_2/(R_i \cdot C)}) = \frac{1}{2} \cdot U \cdot (1 - e^{-1 \text{ ms} / (10 \text{ }\Omega \cdot 100 \text{ }\mu\text{F})})$$

**Exercise E4 Charging Capacitors**  
 (written test, approx. 16 % of a 60-minute written test, WS2022)

The circuit (as shown in the figure) consists of a DC voltage source  $U=6 \text{ V}$ , a resistor  $R_1=20 \text{ }\Omega$ , a capacitor  $C=20 \text{ }\mu\text{F}$ , a resistor  $R_2=10 \text{ }\Omega$ , and a switch  $S$ . The voltage across the capacitor is again  $0 \text{ V}$  at the moment  $t_0=0 \text{ s}$  when the switch  $S$  is closed. Calculate the voltage  $u_c(t_2)$  across the capacitor at  $t_2=1 \text{ ms}$  after closing the switch.

**Solution** To solve this, first create an equivalent linear voltage source from  $U$ ,  $R_1$ , and  $R_2$ .  

$$U_s = U \cdot \frac{R_2}{R_1 + R_2} = 2 \text{ V}$$

$$R_i = R_1 \parallel R_2 = 13.3 \text{ }\Omega$$

Solution

The ideal voltage source is  $U = 12 \text{ V}$ . The internal resistance is given by substituting the ideal voltage source is again short-circuiting  $R_2$ .

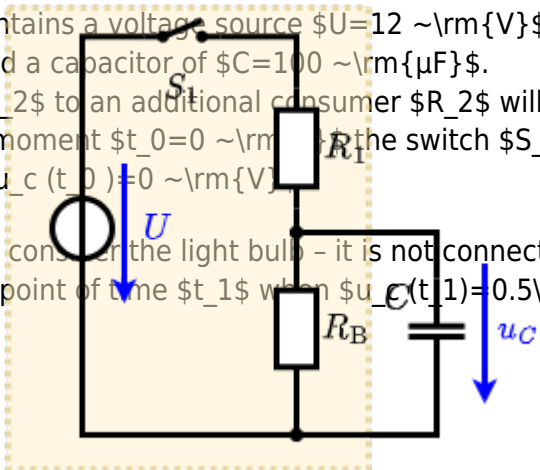
On an alternative view, one can try to create an equivalent linear voltage source again. Then, the internal resistance is given by substituting the ideal voltage source is again short-circuiting  $R_2$ .



The circuit contains a voltage source  $U = 12 \text{ V}$ , a switch  $S_1$ , a resistor of  $R_1 = 20 \text{ }\Omega$  and a capacitor of  $C = 100 \text{ }\mu\text{F}$ .

The switch  $S_2$  to an additional consumer  $R_2$  will be considered to be open for the first asks. At the moment  $t_0 = 0$  the switch  $S_1$  is closed, the voltage across the capacitor is  $u_c(t_0) = 0$ .

First do not consider the light bulb - it is not connected to the RC circuit. Calculate the point of time  $t_1$  when  $u_c(t_1) = 0.5 \cdot U$ .



Solution

An equivalent linear voltage source can be given with  $U$ ,  $R_1$ , and  $R_B$  as seen in yellow.

Therefore, the voltage of the equivalent linear voltage source is:  $U_s = U \cdot \frac{R_B}{R_1 + R_B} = \frac{1}{2} \cdot U$ . The internal resistance is given by substituting the ideal voltage source with its resistance ( $R = 0 \text{ }\Omega$ , short-circuit).  $R_i = R_1 \parallel R_B = 10 \text{ }\Omega$

$u_c(t_2) = U_s \cdot (1 - e^{-t_2/(R_i \cdot C)}) = \frac{1}{2} \cdot U \cdot (1 - e^{-t_2/(10 \text{ }\Omega \cdot 100 \text{ }\mu\text{F})})$   
 So, here only  $R_1$  and  $C$  gives the time constant:  $\tau = R_1 \cdot C$

The following formula describes the time course of  $u_C(t)$  which has to be  $u_c(t_1) = 0.5 \cdot U$ :  $u_c(t) = U \cdot (1 - e^{-t/\tau}) = 0.5 \cdot U$   
 It has to be rearranged to  $(1 - e^{-t/\tau}) = 0.5 \implies e^{-t/\tau} = 0.5 \implies -t/\tau = \ln(0.5) \implies t = \tau \cdot \ln(0.5) = R_1 \cdot C \cdot \ln(0.5)$



The absolute value of the impedance is  $|Z| = \sqrt{R^2 + (X_L - X_C)^2}$  and the phase angle is  $\phi = \arctan\left(\frac{X_L - X_C}{R}\right)$ .  
 With the complex part comes the physical value:  $X_L = \omega L$  and  $X_C = \frac{1}{\omega C}$ .  
 The phase  $\phi$  is given by  $\phi = \arctan\left(\frac{X_L - X_C}{R}\right) = \arctan\left(\frac{\omega L - \frac{1}{\omega C}}{R}\right)$ .

**Exercise E3 Impedances at different Frequencies**  
 (written test, approx. 18 % of a 60-minute written test, WS2022)

At a series circuit with a resistor  $R = 1.00 \text{ k}\Omega$ , an inductor  $L = 4.7 \text{ }\mu\text{H}$  and a capacitor  $C = 40 \text{ nF}$ .  
 Result:  $Z = 1.00 \text{ k}\Omega$  at  $f = 450 \text{ kHz}$ .  
 A resistor  $R_1$  shall have the same absolute value of the impedance as a capacitor  $C_1 = 40 \text{ nF}$  at  $f_1 = 4 \text{ MHz}$ .

Solution  
 Solution  $R_1 = 1.00 \text{ k}\Omega$   
 Solution  $R_2 = 10.0 \text{ k}\Omega$

A series circuit means that the current is constant on every component.  
 The equivalent impedance for  $R$  and  $L$  combined is given by  $Z_{RL} = \sqrt{R^2 + (X_L)^2}$ .  
 Parallel circuit means that the voltage is the same on  $R_2$  and  $C_1$ .  
 The equivalent impedance for  $R_2$  and  $C_1$  combined is given by  $Z_{R_2C_1} = \frac{R_2 X_{C_1}}{\sqrt{R_2^2 + X_{C_1}^2}}$ .  
 Since  $Z_{RL}$  and  $Z_{R_2C_1}$  are perpendicular to each other, the resulting current of the parallel circuit is given as:  
 $I_{total} = \sqrt{I_{RL}^2 + I_{R_2C_1}^2}$ .  
 This can be simplified to  $I_{total} = \frac{U}{\sqrt{R_2^2 + X_{C_1}^2}}$ .  
 Back to the first formula:  $R_2 \cdot I_{total} = X_{C_1} \cdot I_{total}$ .

**Exercise E6 Impedances at different Frequencies**  
 (written test, approx. 18 % of a 60-minute written test, WS2022)

**Resistor**  $R_1$  shall have the same absolute value of the impedance as a capacitor  $C_1 = 40 \text{ nF}$  at  $f_1 = 4 \text{ MHz}$ .

**Solution**

$$R_1 = 1.00 \text{ } \Omega$$

$$R_2 = 10.0 \text{ } \Omega$$

A series circuit means that the current is constant on every component.

The equivalent impedance for  $R$  and  $L$  combined is given by

$$Z_{RL} = R + j\omega L$$

Parallel circuit means that the voltage is the same on  $R_2$  and  $C_1$

$$Z_{RC} = \frac{R_2 \cdot (-j/\omega C_1)}{R_2 - j/\omega C_1}$$

Since  $Z_{RC}$  is perpendicular to  $Z_{RL}$ , the resulting current of the parallel circuit is given as:

$$I_{3R} = I_{2R} + I_{3C}$$

$$I_{3R} = \frac{U}{R_2} + \frac{U}{-j\omega C_1}$$

$$I_{3R} = \frac{U}{R_2} \left( 1 - j\omega R_2 C_1 \right)$$

$$I_{3R} = \frac{3.0 \text{ V}}{10 \text{ } \Omega} \left( 1 - j \cdot 2\pi \cdot 4 \cdot 10^6 \cdot 40 \cdot 10^{-9} \right)$$

$$I_{3R} = 0.3 \text{ A} \cdot \left( 1 - j \cdot 100.53 \right)$$

$$I_{3R} = 0.3 \text{ A} - j 30.16 \text{ A}$$

$$|I_{3R}| = \sqrt{0.3^2 + 30.16^2} = 30.17 \text{ A}$$

**Exercise E1 Complex Impedance Circuit**  
 (written test, approx. 15 % of a 60-minute written test, WS2022)

**1. Calculate the current  $i(t)$  through the resistor  $R$  in the circuit shown in the figure. The voltage source is  $u(t) = 3.0 \text{ V} \cdot \sin(2\pi \cdot 15 \text{ kHz} \cdot t)$ .**

**Solution**

Result

$$Z = 48.2 \text{ } \Omega \quad Z_C = 19.8 \text{ } \Omega$$

Draw the circuit diagram of the given circuit with all components, voltages, and currents.

$$Z = \frac{U}{I} \quad I = \frac{U}{Z}$$

$$Z_C = \frac{1}{2\pi \cdot f \cdot C} = \frac{1}{2\pi \cdot 15 \text{ kHz} \cdot 0.22 \text{ } \mu\text{F}}$$

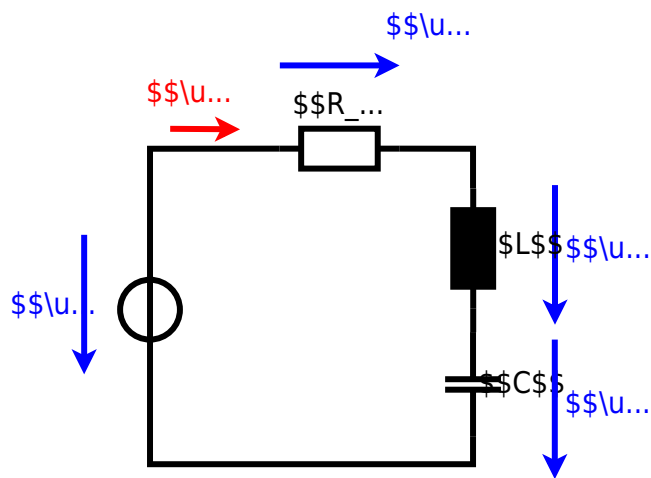
With  $Z = \sqrt{R^2 + (Z_L - Z_C)^2}$

$$Z = \sqrt{10^2 + (2\pi \cdot 15 \text{ kHz} \cdot 330 \text{ } \mu\text{H} - 19.8)^2} = 48.2 \text{ } \Omega$$

$$I = \frac{3.0 \text{ V}}{48.2 \text{ } \Omega} = 0.062 \text{ A}$$

$$i(t) = 0.062 \text{ A} \cdot \sin(2\pi \cdot 15 \text{ kHz} \cdot t)$$





**Exercise E7 Complex Impedance Circuit**  
**(written test, approx. 15 % of a 60-minute written test, WS2022)**

1. Calculate the current  $i(t)$  through the resistor  $R$  in the circuit shown in Fig. 1. The voltage source is  $u(t) = 3.0 \sin(2\pi \cdot 15 \cdot t)$  V. The circuit consists of a resistor  $R = 10 \Omega$ , an inductor  $L = 330 \mu\text{H}$ , and a capacitor  $C = 0.22 \mu\text{F}$ , all in series.

Result:  $Z = 19.8 \Omega$

Draw the circuit diagram of the given circuit. Label all components, voltages, and currents.

$$Z = \frac{\hat{U}}{\hat{I}} \quad \hat{I} = \frac{\hat{U}}{Z} = \frac{3.0 \text{ V}}{19.8 \Omega} = 0.1515 \text{ A}$$

$$Z_C = \frac{1}{2\pi \cdot 15 \cdot 0.22 \cdot 10^{-6}} = 1928 \Omega$$

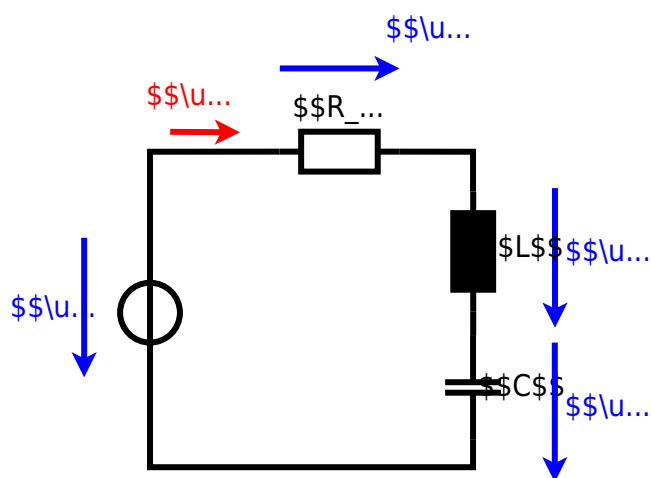
$$Z_L = 2\pi \cdot 15 \cdot 330 \cdot 10^{-6} = 3.16 \Omega$$

$$\underline{Z} = R + j(Z_L - Z_C) = 10 + j(3.16 - 1928) = 10 - j1924.84 \Omega$$

$$|\underline{Z}| = \sqrt{R^2 + (Z_L - Z_C)^2} = \sqrt{10^2 + 1924.84^2} = 1924.85 \Omega$$







From:  
<https://mexle.te.hs-heilbronn.de/> - **MEXLE Wiki**

Permanent link:  
[https://mexle.te.hs-heilbronn.de/electrical\\_engineering\\_1/ws2022\\_exam?rev=1680387658](https://mexle.te.hs-heilbronn.de/electrical_engineering_1/ws2022_exam?rev=1680387658)

Last update: **2023/04/02 00:20**

