

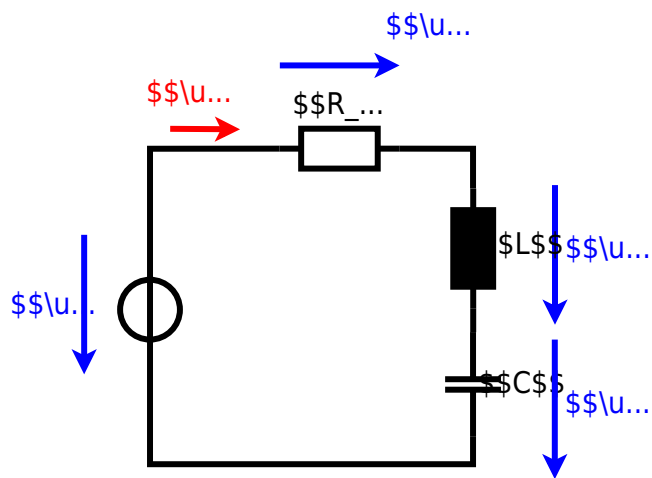
task_kricv9fh7haauo6q_with_calculation

Student Group

First Name	Surname	Matrikel Nr.

Table of Contents

Exercise E1 Complex Impedance Circuit (written test, approx. 15 % of a 60-minute written test, WS2022) 2



From:
<https://mexle.te.hs-heilbronn.de/> - **MEXLE Wiki**

Permanent link:
https://mexle.te.hs-heilbronn.de/electrical_engineering_1/task_kricv9fh7haauo6q_with_calculation?rev=1680388059

Last update: **2023/04/02 00:27**

