

# task\_kricv9fh7haauo6q\_with\_calculation

## Student Group

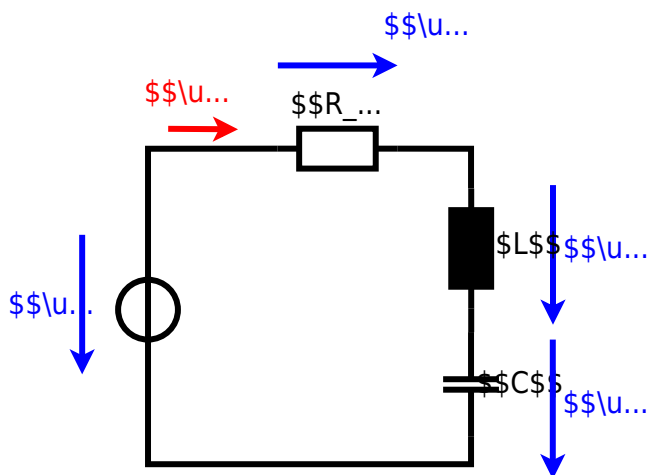
First Name	Surname	Matrikel Nr.

## Table of Contents

Exercise E1 Complex Impedance Circuit (written test, approx. 15 % of a 60-minute written test, WS2022) .....	2
--	---







From:

<https://mexle.te.hs-heilbronn.de/> - **MEXLE Wiki**

Permanent link:

[https://mexle.te.hs-heilbronn.de/ee1/task\\_kricv9fh7haauo6q\\_with\\_calculation](https://mexle.te.hs-heilbronn.de/ee1/task_kricv9fh7haauo6q_with_calculation)

Last update: **2023/04/02 00:27**

