

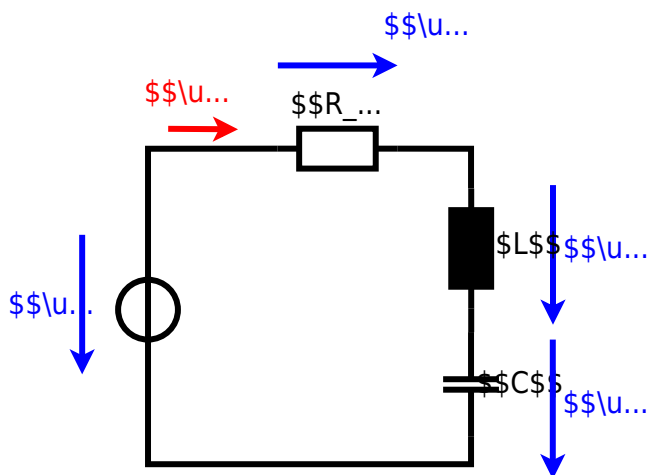
task_kricv9fh7haauo6q_with_calculation

Student Group

| First Name | Surname | Matrikel Nr. |
|------------|---------|--------------|
| | | |
| | | |
| | | |

Table of Contents

Exercise E1 Complex Impedance Circuit (written test, approx. 15 % of a 60-minute written test, WS2022) 2



From:

<https://mexle.te.hs-heilbronn.de/> - **MEXLE Wiki**

Permanent link:

https://mexle.te.hs-heilbronn.de/ee1/task_kricv9fh7haauo6q_with_calculation

Last update: **2023/04/02 00:27**

