

# exercise\_sheet\_1

## Student Group

| First Name | Surname | Matrikel Nr. |
|------------|---------|--------------|
|            |         |              |
|            |         |              |
|            |         |              |

## Table of Contents

Exercise 1.1.1 Microphone amplifier I ..... 3  
Exercise 1.1.2 Microphone amplifier II ..... 5  
Exercise 1.1.3 Wheatstone bridge circuit ..... 6  
Hint ..... 8

# Exercise Sheet 1

Please upload the filled PDF in ILIAS.

Details, tips and tools for filling and inserting images can be found at:

[Tools für Lehr/Lern-Veranstaltungen](#)

| Name   | First Name                                     | Matrikelnummer                                 |
|--|--|--|
| \$\\quad\\quad\\quad\\quad\\quad\\quad\\quad\$ | \$\\quad\\quad\\quad\\quad\\quad\\quad\\quad\$ | \$\\quad\\quad\\quad\\quad\\quad\\quad\\quad\$ |
|  |  |  |



4. Determine from the previous task the maximum current  $I_{\max,S}$  for which the two power supplies must be designed at least.  
(Note that for simple amplifiers the output current  $I_O$  is always less than or equal to the current  $I_S$  of the power supply).

### Exercise 1.1.2 Microphone amplifier II

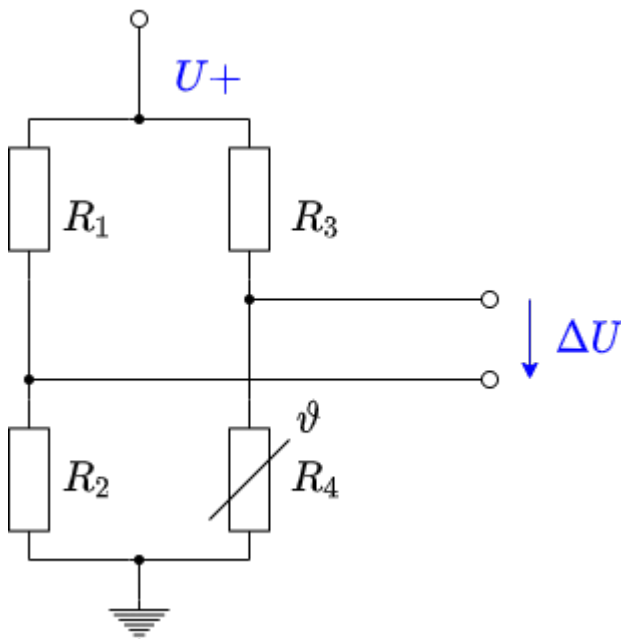
A voltage amplifier circuit is given, which shall amplify a microphone signal in such a way that a loudspeaker ( $R_{LS} = 8.0 \Omega$ ) can be driven. Neither amplification nor the desired voltage at the loudspeaker is known. This amplifier circuit is internally protected against over-currents above  $I_{\max, \text{amplifier}} = 5.0 \text{ A}$  by a fast fuse. It is known that no over-currents occur in the allowed voltage operation of  $8.0 \Omega$  loudspeakers.

1. By what factor does the current change if a  $4.0 \Omega$  loudspeaker is used instead of an  $8.0 \Omega$  loudspeaker?

2. What effect does this have on the fuse?

### Exercise 1.1.3 Wheatstone bridge circuit

Fig. 1: Wheatstone bridge circuit with a temperature sensor



Imagine that you work in the company “HHN Mechatronics & Robotics”. You are developing an IoT system that will be used in a harsh environment and will contain a rechargeable battery. The temperature of the battery must be monitored during operation and charging. If the temperature is too high, charging must be aborted or a warning issued. For the temperature measurement at the housing of the used lithium-ion cell [NCR18650](#) a measuring circuit is to be built up. A suggestion for the circuit is as follows:

1. Wheatstone bridge circuit with  $R_1 = R_2 = R_3 = R_4 = 1.0k \Omega$ .
2. Let the resistor  $R_4$  be a PT1000 with a temperature coefficient  $\alpha = 3850 \frac{\text{ppm}}{\text{K}}$ .
3. For the other resistors, two components are chosen, that have an unknown temperature coefficient. According to the data sheet temperature coefficient is within  $\alpha = \pm 100 \frac{\text{ppm}}{\text{K}}$ .
4. The voltage source of the system generates a voltage of 5V with sufficient accuracy.
5. The determined voltage  $\Delta U$  is amplified by a factor of 20 through another amplifier circuit, output as  $U_{\text{O}}$ , and further used by an analog-to-digital converter in a microcontroller<sup>1)</sup>.

A short report is to be created; Tina TI is to be used as the analysis tool.

1. Create a problem description.



2. Rebuild the circuit in TINA TI and add this here. Take the following hint into account.

### Hint

Use a simple resistor for the PT1000 in the simulation. With Tina TI, 27°C (room temperature) is selected as the reference temperature for the temperature curve. For the PT1000, the reference temperature is often 0°C (in practical applications, this should be checked in the data sheet). With Tina TI, the reference temperature can be changed by entering the value 27 under Temperature [C] in the properties (double-click on Resistor).

3. From the data sheet linked above, determine in what range from  $T_{\min}$  to  $T_{\max}$  may be charged and what temperature  $T_{\lim}$  may not be exceeded in any of the states.



4. First, for temperature invariant  $R_1 = R_2 = R_3 = 1.0k \Omega$  and a temperature variable resistor  $R_4$ , determine the voltage change  $\Delta U$  over the temperature of  $-30 \dots 70^\circ\text{C}$  in TINA TI. To do this, create a plot with  $\Delta U$  as a function of temperature.  
Read  $\Delta U^0(T_{\min})$ ,  $\Delta U^0(T_{\max})$ ,  $\Delta U^0(T_{\lim})$ , from the diagram and check the plausibility of the values by calculation.

5. Determine  $\Delta U$  when the temperature dependence of  $R_1$ ,  $R_2$  and  $R_3$  is taken into account. To do this, create a suitable diagram with  $\Delta U$  as a function of temperature in TINA TI.  
At what voltages  $U_O(T_{\min})$ ,  $U_O(T_{\max})$  must the microcontroller intervene and disable charging?  
At what value  $U_A(T_{\lim})$  must a warning be issued?

6. Discuss the results

---

<sup>1)</sup> In real systems, an analog-to-digital converter would most likely not be used because of its relatively large power consumption for IoT applications. For Atmel chips, this is a few  $10\ \mu\text{A}$ , which adds up to a rapid battery drain over time.

From:

<https://mexle.te.hs-heilbronn.de/> - **MEXLE Wiki**

Permanent link:

[https://mexle.te.hs-heilbronn.de/circuit\\_design/exercise\\_sheet\\_1?rev=1678369801](https://mexle.te.hs-heilbronn.de/circuit_design/exercise_sheet_1?rev=1678369801)

Last update: **2023/03/09 14:50**

